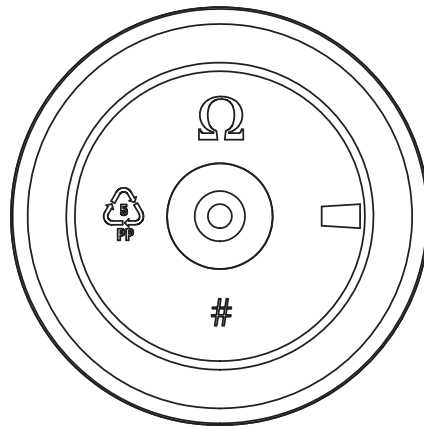
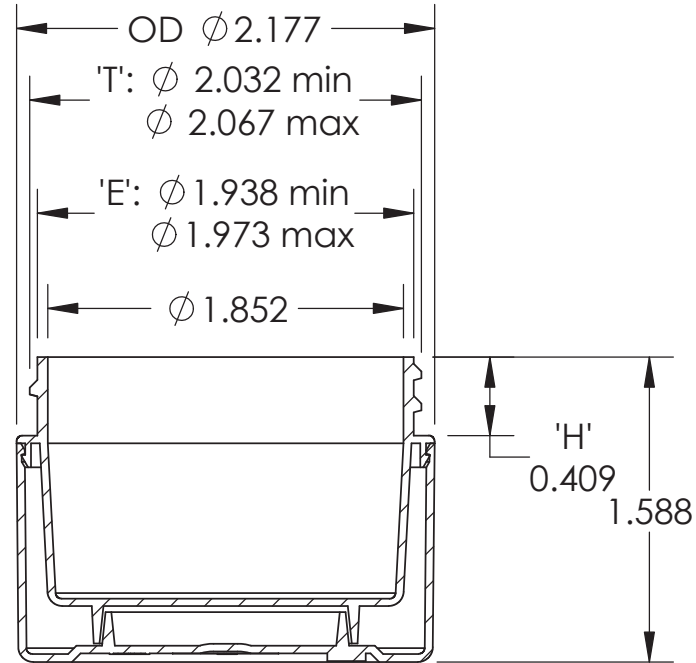
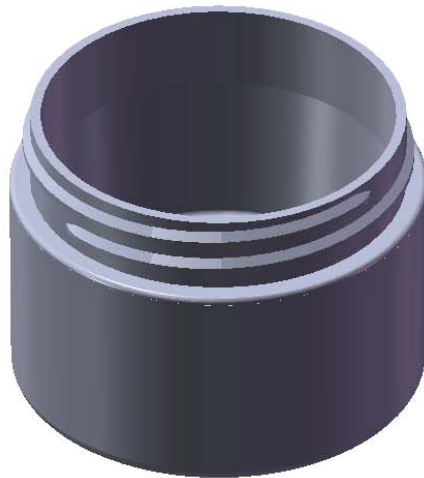




104791

1 oz. White PP Straight Base Double War Jar  
K.G. International - sales@kgint.com - +1 305 499-9816



Bottom View

Notes:

1. Material: Polypropylene (PP)
2. Weight: Approx 15 grams
3. Overflow Capacity: Approx 54 cc
4. Thread: 6 TPI
5. Printable / Label area:  
6.63" wraparound x 0.88" height  
(labels should account for 1/2° wall taper)
6. Omega Part # 3150